

REPLACING MOTOR

1. With pump standing on oil cover, rotate coupling so set screws are facing trap assembly opening. Re-install motor while aligning flat side of motor shaft with set screw.

IMPORTANT ASSEMBLE IN THIS ORDER

- a. Tighten four (4) motor screws and then
 - b. Tightened coupler set screw on motor shaft.
2. Re-install foot mounting bracket and rubber feet.

| Part # | Replacement For |
|--------|--|
| D10043 | DV-42 obsolete |
| D10086 | DV-3 & DV-85C obsolete |
| D10087 | DV-85 obsolete |
| D10128 | DV-5 & DV-127 obsolete |
| D10143 | DV-142 (4 Digit Serial No.) obsolete |
| PR-202 | DV-85N |
| PR-203 | DV-142N |
| PR-204 | DV-200N |
| PR-212 | DV-42N |
| PR-214 | DV-285N |
| PR-302 | DV-85N (Manufactured after January, 2000) |
| PR-303 | DV-142N (Manufactured after January, 2000) |
| PR-304 | DV-200N (Manufactured after January, 2000) |
| PR-305 | DV-42N (Manufactured after January, 2000) |
| PR-314 | DV-285N (Manufactured after January, 2000) |

Should you need further assistance call our toll free Technical Service number **1-800-323-0811**.

Visit our web site at: www.jbind.com

E-mail: sales@jbind.com



JB INDUSTRIES
Aurora, IL 60507 U.S.A.

BEFORE OPERATING

1. Be sure pump switch is in "Off" position and plug in.
2. Open oil drain and intake cap. While pump is running, immediately place 2 or 3 ounces of fresh oil into intake and run pump for 3 or 4 seconds. Repeat procedure at least 2 times. Allow oil to drain out.
3. Close oil drain and replace intake cap.
4. Fill with fresh FastVac Deep Vacuum Pump oil to top edge of oil level line. For those pumps without line, the correct level is 1/8" below top of sight glass. Replace oil fill plug.
5. Run Vacuum Test.



Replacement Instructions for Deep Vacuum Pump Cartridge

NOTE: Instructions pertain to all pump series. Pump styles may vary from illustrations.

Cartridge kit also contains 2 new O-rings, 1 cover gasket and shaft seal. Before replacing cartridge, be thoroughly familiar with **Replacing Pump Cartridge** procedures.

You will need the following tools:

Hammer
Medium Screwdriver
5/32" and/or 1/8" and 3/16"
Allen Wrench
11/16" Socket Head
3/8" or 7/16" Wrench or socket
Thread sealant
Vaseline or grease

DRAIN OIL

REMOVING MOTOR

1. Stand pump on oil cover. If pumps has foot mounting bracket, remove unit by loosening foot screws. (FIG. 1)
2. Turn coupling until setscrews are facing you. With 5/32" or 1/8" Allen wrench (depending on model) loosen setscrew on motor shaft. (FIG. 2) Loosen four (4) motor thru bolts (FIG. 3). Remove motor. **DO NOT REMOVE BOLTS FROM MOTOR AT ANY TIME.**

If old cartridge is frozen, i.e. coupler will not turn, remove oil cover (FIG. 4) and four (4) cartridge bolts (FIG. 5). By turning cartridge, coupler will rotate into position.

3. Loosen setscrews on coupler and remove coupling. (FIG. 2)

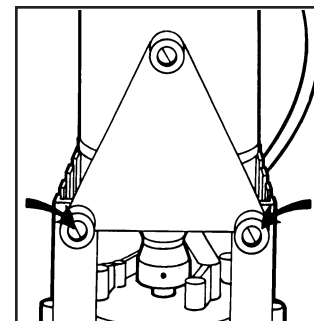


FIG. 1
(Models with Foot Mounting Bracket only)

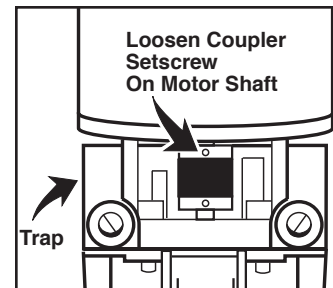


FIG. 2

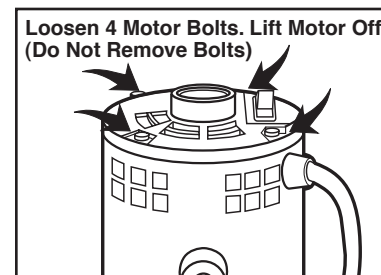


FIG. 3

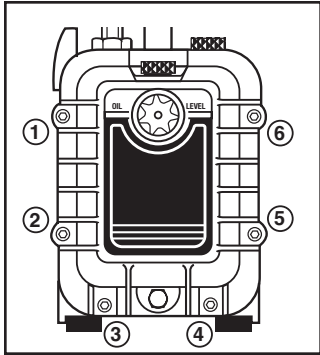


FIG. 4

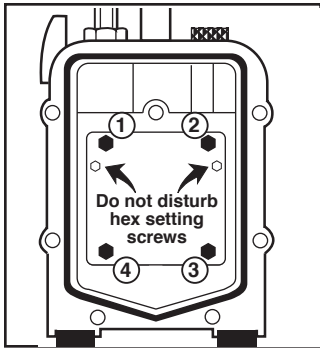


FIG. 5

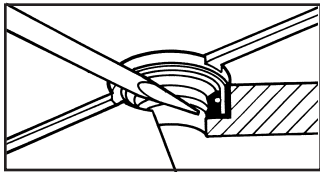


FIG. 6

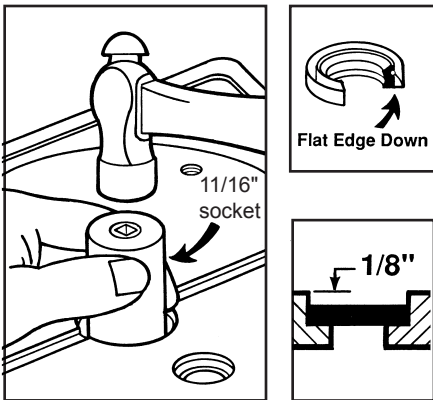


FIG. 7

REMOVING OIL COVER

1. Using 3/16" Allen wrench remove 6 socket head cap screws from oil cover. (FIG. 4)

REMOVING CARTRIDGE

1. Remove 4 cartridge screws (7/16" or 3/8" wrench) (FIG. 5). Discard old gasket seal and 2 O-rings along with cartridge and bolts.

REPLACING SHAFT SEAL AND O-RINGS

1. Insert screwdriver blade under shaft seal and pry the seal from the housing being careful not to damage the walls or face of the trap. (FIG. 6)
2. With clean rag remove all oil and residue from inside hole and front and back of trap.
3. Lay trap on flat surface with handle toward you. Press new shaft seal with flat side down into opening by hand. To seat, tap seal with 11/16" socket. Seal is properly seated 1/8" down from top edge (FIG. 7). Apply vaseline or grease to inside edges of seal.
4. Insert intake and gas ballast O-rings in trap (FIG. 8). Gasket replaced after cartridge is installed.

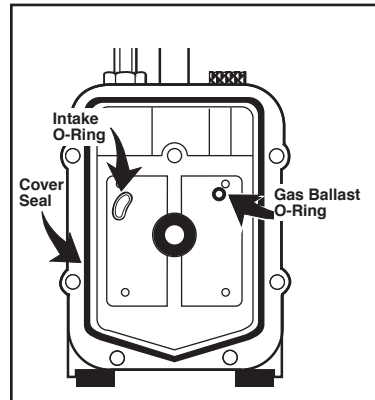


FIG. 8

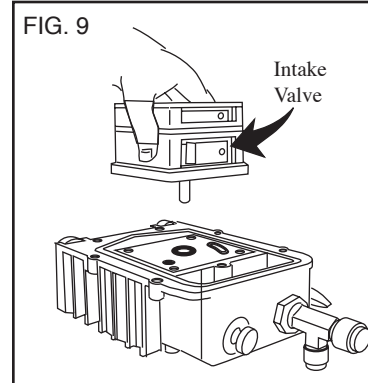
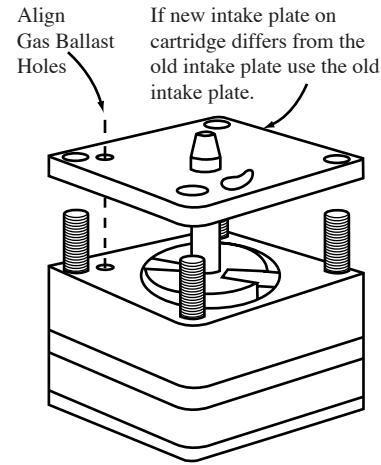


FIG. 10

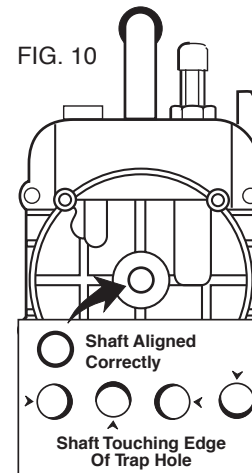


FIG. 10

REPLACING PUMP CARTRIDGE

Read section carefully before attempting replacement.

1. Keep trap flat on bench. Remove holding nuts from cartridge, keeping all parts in alignment. (Four nuts can be discarded.)

Cartridge is held with shaft down and flutter valves facing intake fitting. Center shaft with seal opening. (FIG. 9) Align with threaded holes and place in position. Hand tighten four bolts. Cross tighten with 7/16" wrench.

2. Check alignment by rotating shaft with coupler. If shaft moves freely continue assembly. If shaft binds, loosen bolts and turn shaft until shaft rotates freely. Retighten bolts. Shaft should be concentric with shaft hole when viewed from backside. (FIG. 10)
3. Replace gasket (FIG. 8) and re-install oil cover to trap. (FIG. 4)
4. Remove setscrews on coupler. Coat setscrew threads with thread sealant. Re-install coupler to pump cartridge with set screw facing flat side of shaft. Tighten screw so coupler slides on shaft but stops at bottom of flat. Tighten until screw head is flush with coupler. Coupler should be approximately 1/8" off trap surface. (FIG. 11)

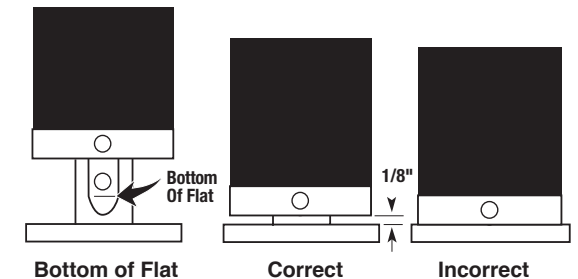


FIG. 11 (Coupler styles may vary from illustration.)