

PR-18 Replacement valve for pump cartridge

CFM s/n 0107 and up

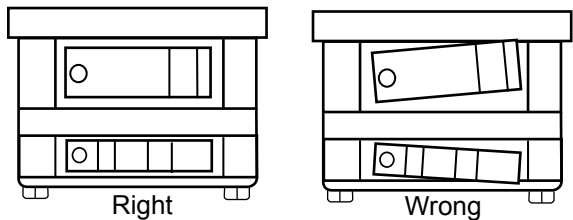
DV-85N DV142N DV200N-DV285N

Remove Cover and Splash Guard.
Wipe Inside cover surfaces and cartridge clean.

**DO NOT DISTURB
CARTRIDGE ASSEMBLY BOLTS OR SETTING SCREWS**

Use 5/32" Allen wrench for socket headscrews

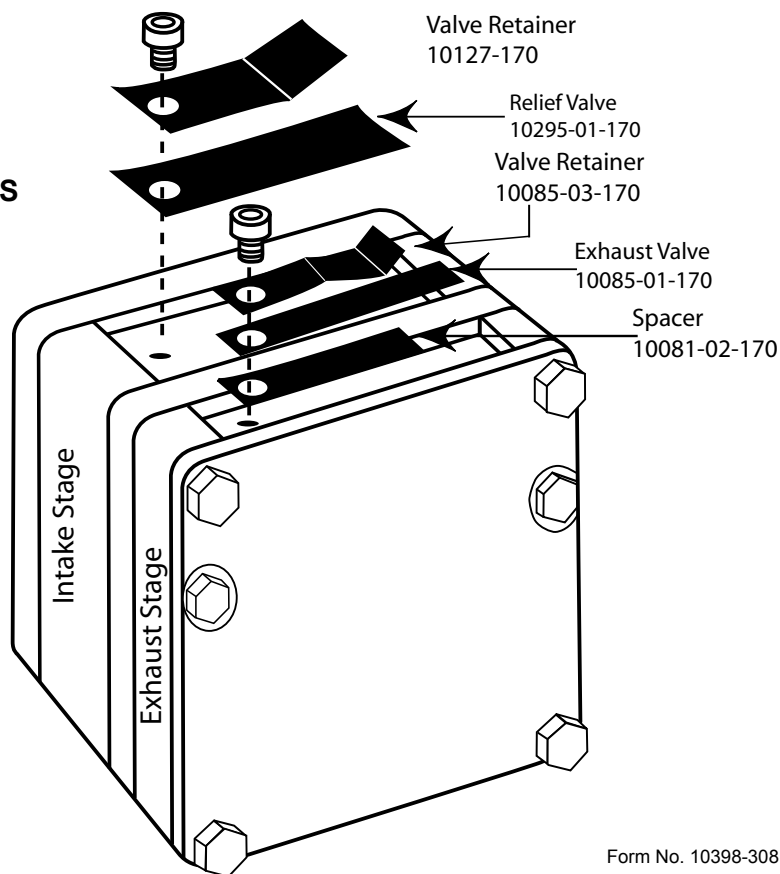
Top View



Center Valves between side surfaces



J/B Industries Inc. Aurora, IL 60507 U.S.A.
Technical Service: 800.323.0811
E-mail: sales@jbind.com
Website: www.jbind.com
© 2007 J/B Industries, Inc. Printed in the U.S.A.



Form No. 10398-308

PR-18 Replacement valve for pump Cartridge

CFM s/n 0107 and up

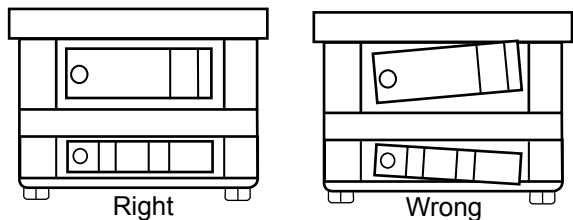
DV-85N DV142N DV200N-DV285N

Remove Cover and Splash Guard.
Wipe Inside cover surfaces and cartridge clean.

**DO NOT DISTURB
CARTRIDGE ASSEMBLY BOLTS OR SETTING SCREWS**

Use 5/32" Allen wrench for socket headscrews

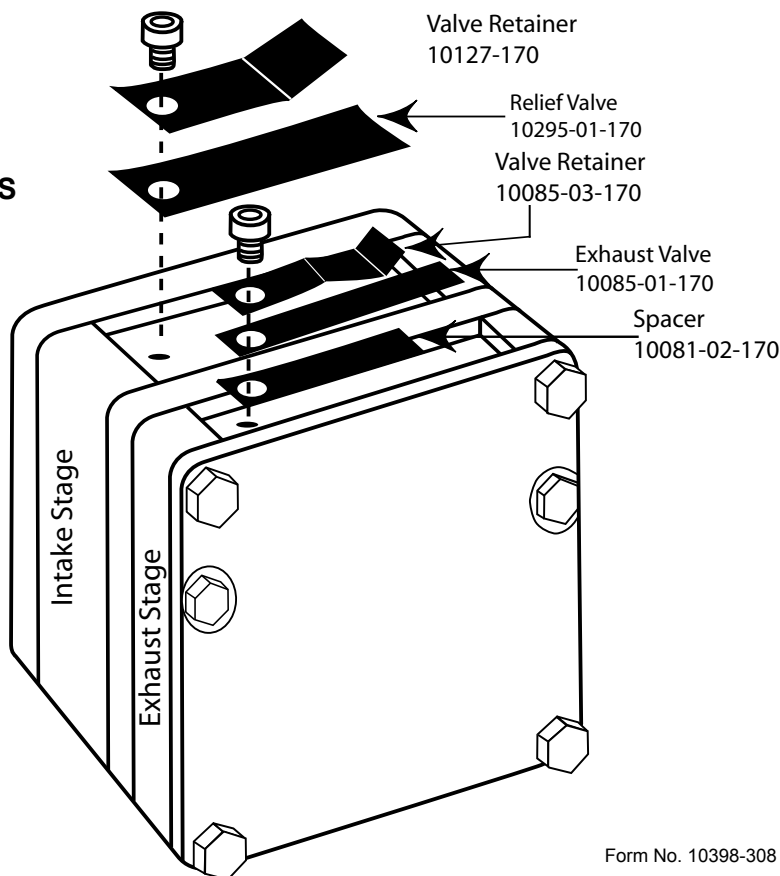
Top View



Center Valves between side surfaces



J/B Industries Inc. Aurora, IL 60507 U.S.A.
Technical Service: 800.323.0811
E-mail: sales@jbind.com
Website: www.jbind.com
© 2007 J/B Industries, Inc. Printed in the U.S.A.



Form No. 10398-308