



HOLTSVILLE, NEW YORK 11742
 631-207-1200 • FAX: 631.207.0900
 www.weissinstruments.com

Project Name: _____

Location: _____

IDN# _____ Quantity: _____

Catalog# _____

CAT NO. **XJR40D**

4 Zone Lighting Controller

Manage lights on the Internet via the XWEB

The XJR40D is a network module that can manage up to 4 lighting zones. It features four on/off keys and LED indicators on the front. Each output can be controlled with 4 corresponding digital inputs such as a remote switch or occupancy and light sensors for sunrise/sunset operation. In addition, the XJR40D is connected to an XWEB LAN and receives on/off signals from the Scheduler Function via the RS485 Serial connection. 24/7/365 control is easily set up with the XWEB scheduler in order to reduce energy. The unit transfers the data to an XWEB over a RS485 Network.

An optical light sensor can also be added to detect when lights are out and initiate an alarm via the XWEB to notify the right personnel to replace/repair lights.

The XJR40D can be wall or din mounted or placed in a Din Box.

The serial communication enables the XJR40D to connect to XWEB Monitoring Systems and other open systems using ModBus-RTU.

Applications include Control of:

- 4 zones of lighting
- Sprinkler Systems
- Occupancy/Security
- On/Off of loads via Scheduler
- Detect when lights are out

Options

- Occupancy Sensor
- Photo Electric Sensor
- Remote on/off



LIGHT BANK / 4
 4 Zone Controller

APPROVALS:

DATE:

OVERVIEW

The Control shall have four status LED indicators corresponding to its four manual key switches in addition to a power indicator LED. The unit has 4 Digital Inputs (voltage free open/closed circuit) that can control each of the 4 8A relay outputs. It has an RS485 Connection.

MOUNTING

The product is 4DIN RAIL or wall mounted in a DinBox and shall have IP65 protection from the front.

SENSOR

The product shall have up to 4 Digital Input sensors such as a photoelectric eye, occupancy sensor, remote on/off, or any other open/closed Digital signal.

POWER

The product shall be powered by 24Vac, 120Vac or 230Vac.

INPUTS

The control shall have 4 Digital inputs (open/closed circuit) that are typically used with photoelectric sensors for sunrise/sunset operation or occupancy sensors.

OUTPUTS

The XJR40D has 4 8A SPDT relay outputs.

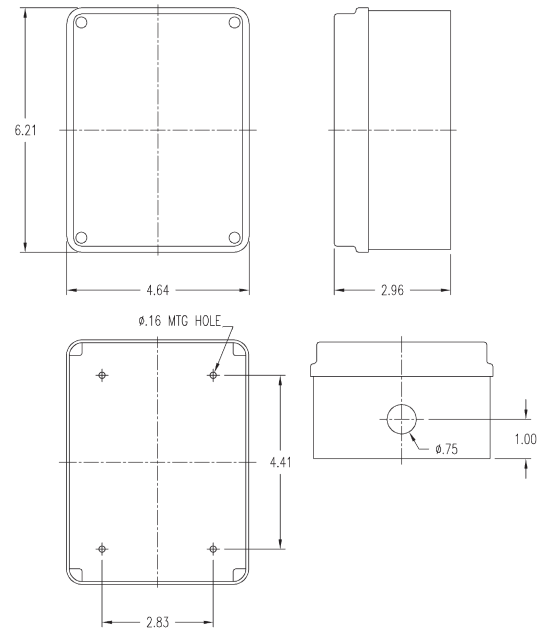
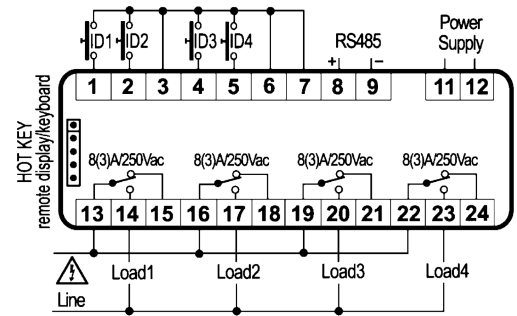
COMMUNICATIONS

The Control shall have an RS485 Serial port. The two way communication protocol shall be MOD-BUS-RTU. The Module shall have a settable 4 serial address from 1 to 247. The MOD-BUS Comments, Registers and Hex Codes are free and open and are available on request.

PROGRAMMING

The control is pre-programmed and pre-addressed for 4 zone lighting. There are 2 levels of control parameters that are password protected. A Hot Key flash memory device can upload or download a program to the unit. The program shall remain in internal memory without power.

XJR40D



SPECIFICATIONS SUBJECT TO CHANGE WITHOUT NOTICE

WARRANTY
ONE YEAR