

Sequencers

Product Sequencers

Purpose The DiversiTech Sequencers are used in electric heat systems to stage blower motors and heating elements.

Features

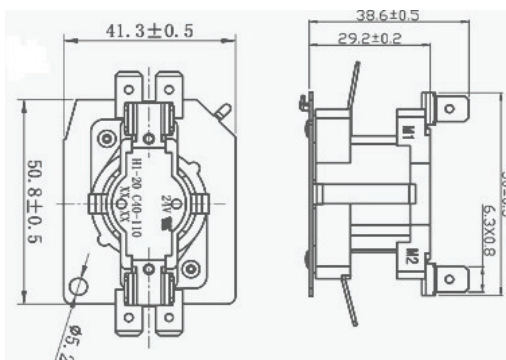
- Easy to use.
- Simple to install.

General Specifications

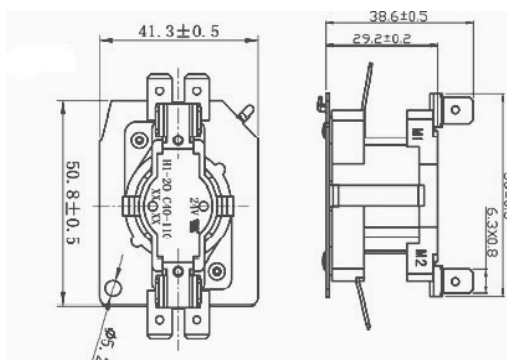
- For 24 volt control
- UL Recognized
- Warranty - 1 year

General Characteristics

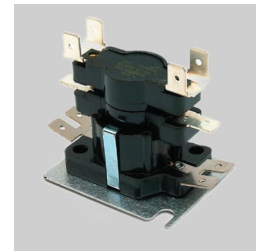
Model	# Of Main Circuits	Load Rating	Delay Off	Delay On	Switch Type	Weight
HDR-101	1	25A @ 240V 12.5A @ 480V	45-75 sec	1-24 sec	SPST-NO	0.2 lbs
HDR-102	1	25A @ 240V 12.5A @ 480V	1-40 sec	30-75 sec	SPST-NO	0.2 lbs
HDR-201	2	25A @ 240V 12.5A @ 480V	45-75 sec	1-24 sec	DPST-NO	0.13 lbs
HDR-202	2	25A @ 240V 12.5A @ 480V	1-40 sec	30-70 sec	DPST-NO	0.2 lbs
HDR-211	2	25A @ 240V 12.5A @ 480V	1-40 sec	30-110 sec	DPST-NO	0.2 lbs
HDR-212	2	25A @ 240V 12.5A @ 480V	50-110 sec	1-25 sec	DPST-NO	0.13 lbs
HDR-221	3	25A @ 240V 12.5A @ 480V	50-110 sec	1-25 sec	DPST-NO SPST-NO	0.24 lbs
HDR-222	4	25A @ 240V 12.5A @ 480V	50-110 sec	1-40 sec	2 DPST-NO	0.25 lbs



HDR-101



HDR-102



HDR-101



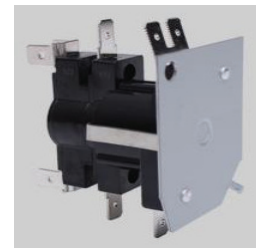
HDR-102



HDR-201



HDR-202



HDR-211



HDR-212



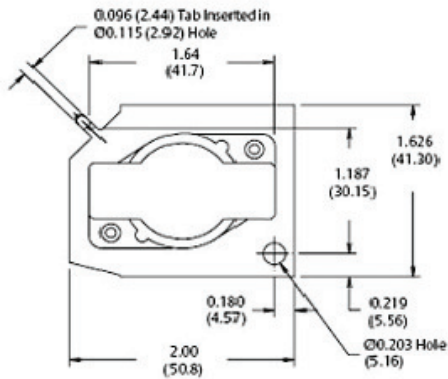
HDR-221



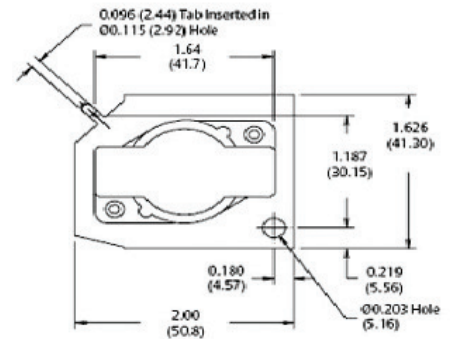
HDR-222



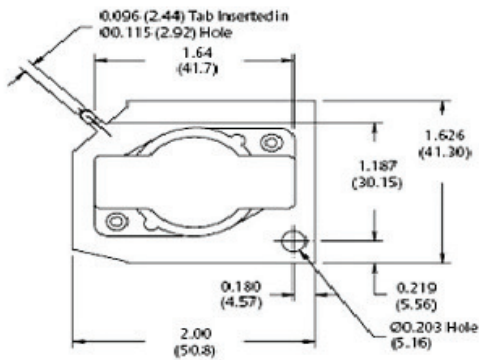
Sequencers



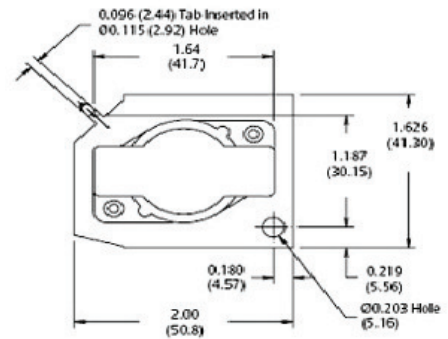
HDR-201



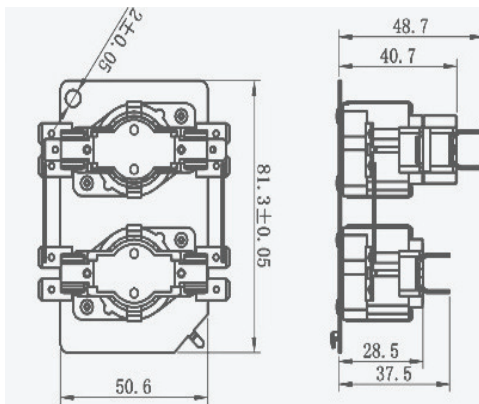
HDR-202



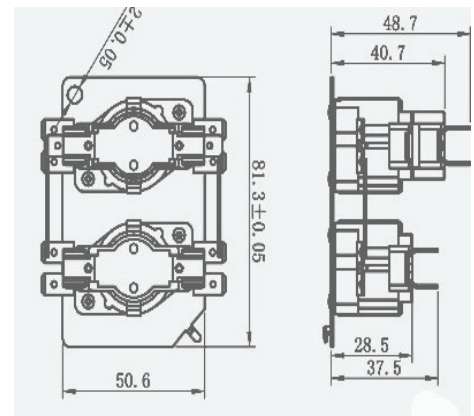
HDR-211



HDR-212



HDR-221



HDR-222