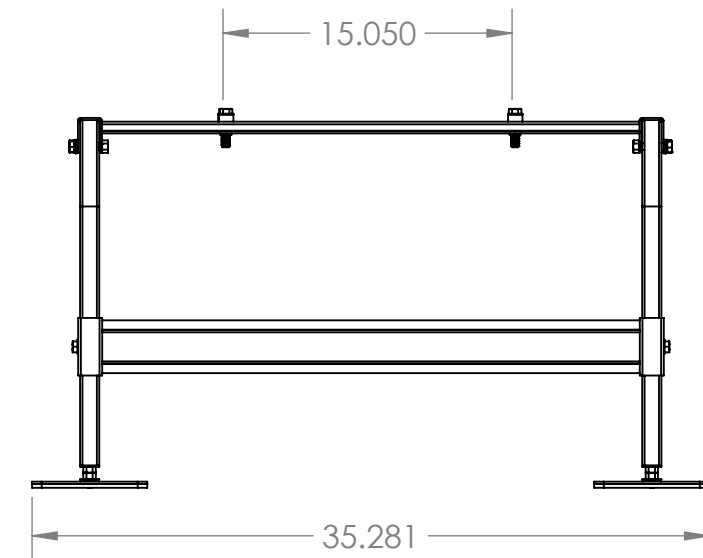
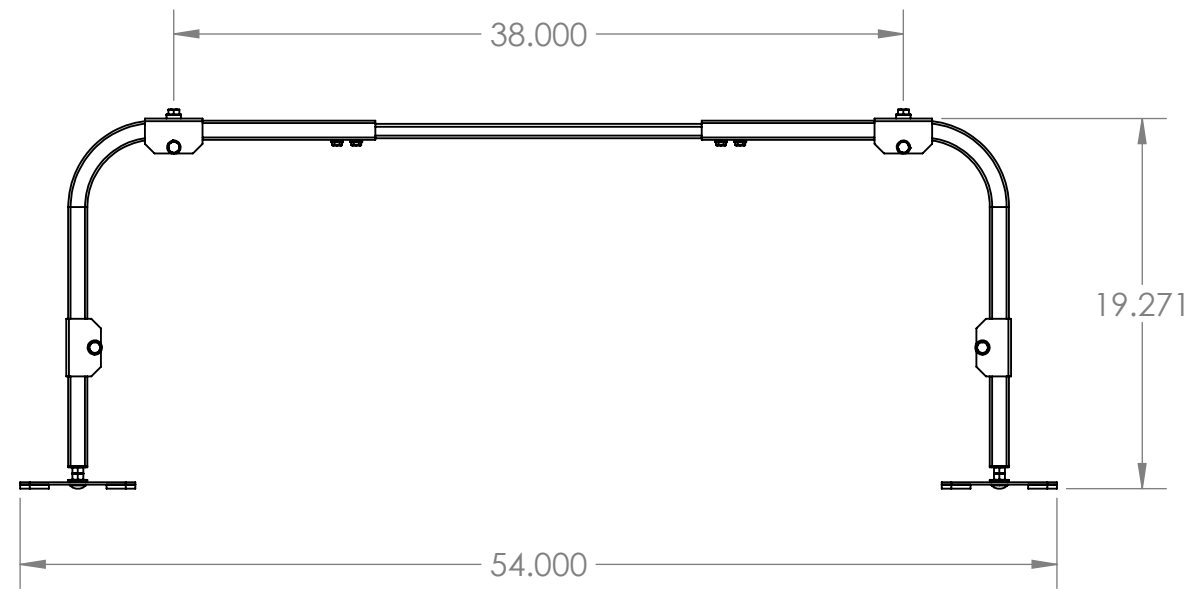


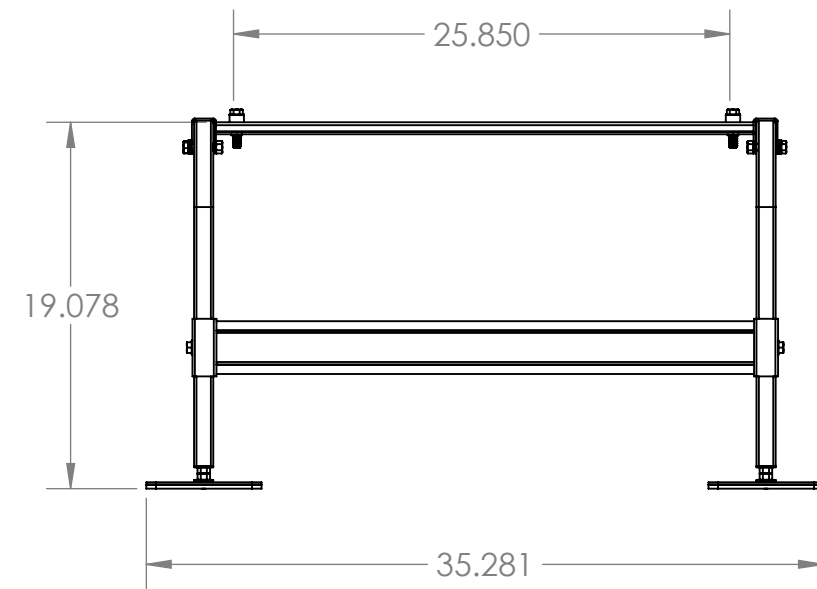
SIDE VIEW RETRACTED



END VIEW RETRACTED



SIDE VIEW EXPANDED



END VIEW EXPANDED

ALL DRAWINGS AND WRITTEN MATERIAL CONTAINED HEREIN ARE THE PROPERTY OF DIVERSITECH CORP AND MAY NOT BE DUPLICATED OR DISCLOSED AT ANY TIME UNLESS APPROVED IN WRITING BY DIVERSITECH CORP

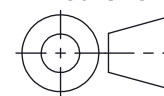
INTERPRET THIS DRAWING IN ACCORDANCE WITH ASME Y14.5-2009 DIMENSIONING AND TOLERANCING STANDARDS

NOTES:

MATERIAL: SEE NOTES
FINISH: SEE NOTES

DO NOT SCALE

THIRD ANGLE PROJECTION



	NAME	DATE
DRAWN		29 Mar 19
ENG APPR.		
MFG APPR.		

TITLE		SIZE
QSMS1805 w/ 2 rails		B
DRAWING NUMBER	REVISION	
QSMS1804	A01	
SCALE: 1:2 0	WT. (lbs):	SHEET 1 OF 2

6

5

4

3

2

1

D

D

C

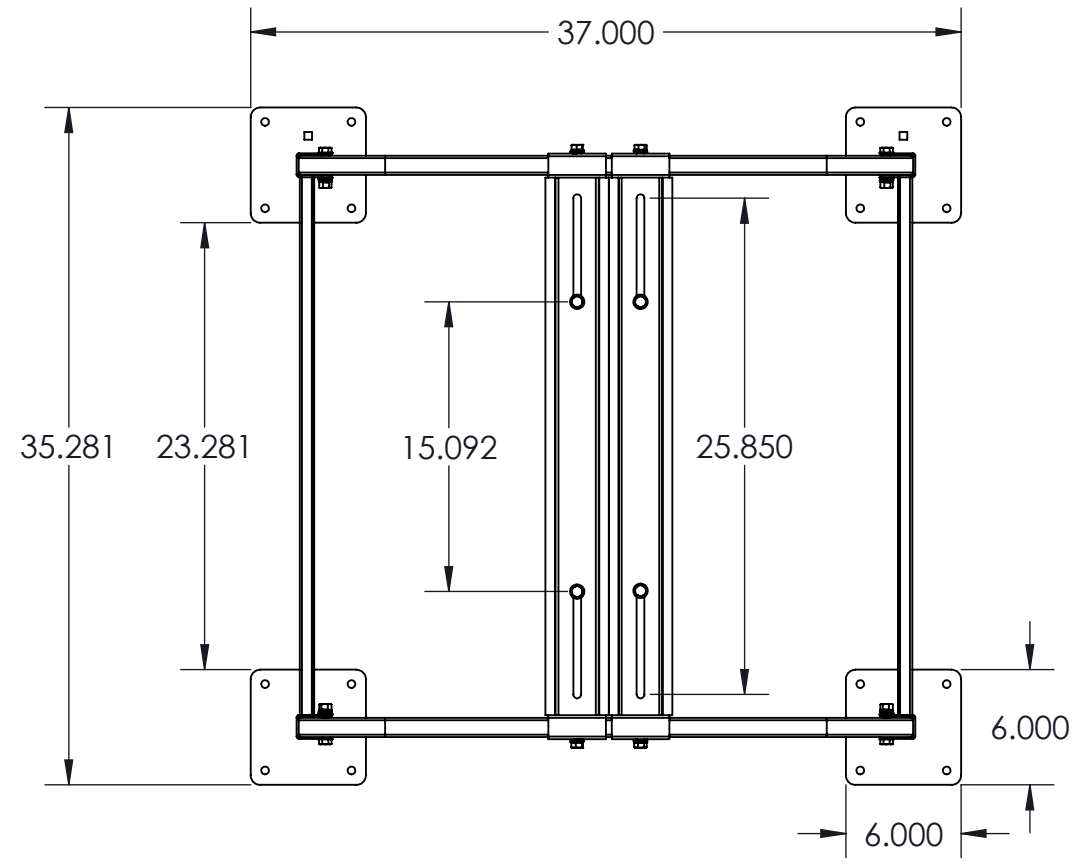
C

B

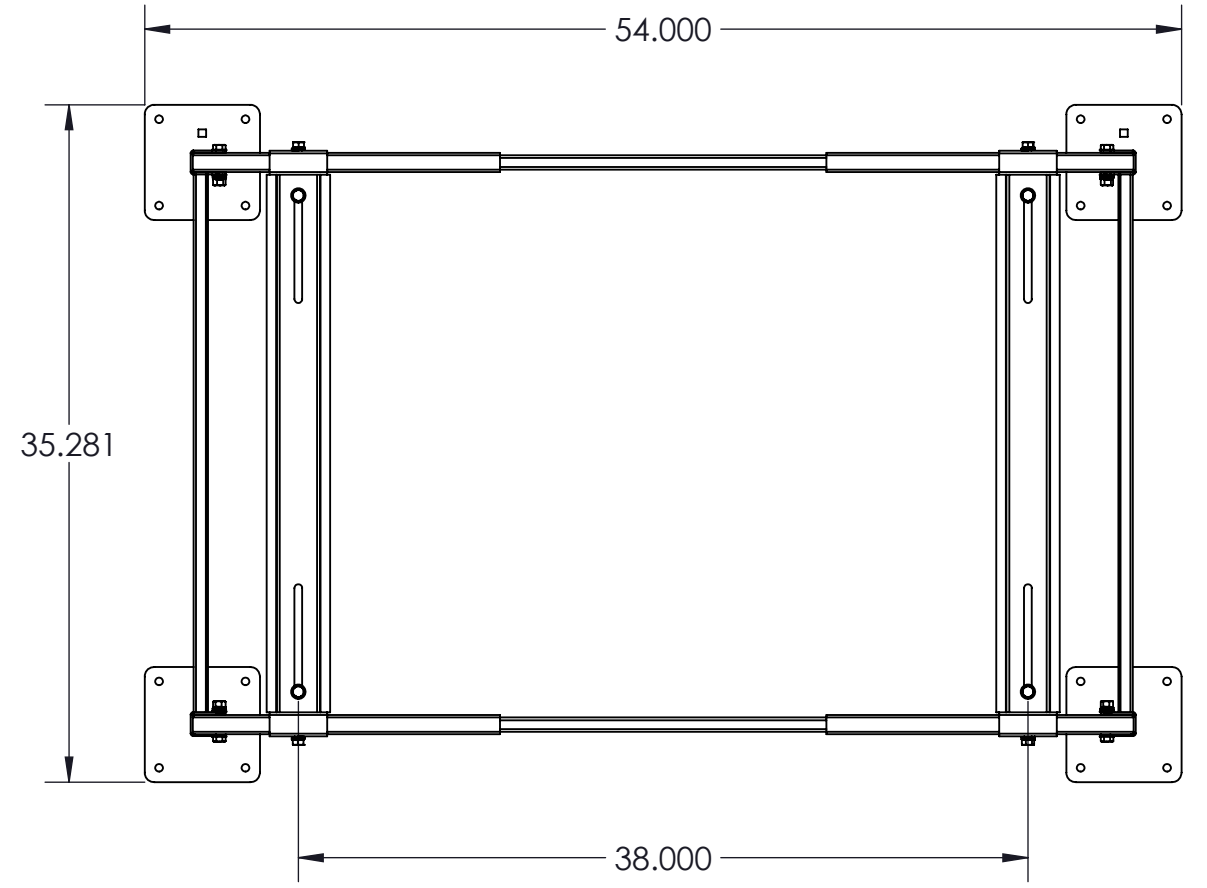
B

A

A



TOP VIEW RETRACTED



TOP VIEW EXPANDED

ALL DRAWINGS AND WRITTEN MATERIAL CONTAINED HEREIN ARE THE PROPERTY OF DIVERSITECH CORP AND MAY NOT BE DUPLICATED OR DISCLOSED AT ANY TIME UNLESS APPROVED IN WRITING BY DIVERSITECH CORP

INTERPRET THIS DRAWING IN ACCORDANCE WITH ASME Y14.5-2009 DIMENSIONING AND TOLERANCING STANDARDS

NOTES:

MATERIAL: SEE NOTES
FINISH: SEE NOTES
DO NOT SCALE

THIRD ANGLE PROJECTION

DIVERSITECH

NAME	DATE
DRAWN	29 Mar 19
ENG APPR.	
MFG APPR.	

TITLE		SIZE
QSMS1805 w/ 2 rails		B
DRAWING NUMBER	REVISION	
QSMS1804	A01	
SCALE: 1:2	WT. (lbs):	SHEET 2 OF 2

6

5

4

3

2

1