

May 2019

## QSSB, QSSX

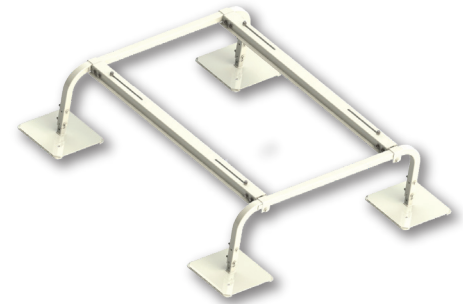
### Next Generation Super Stand VRF/VRV Equipment Stands

#### Application

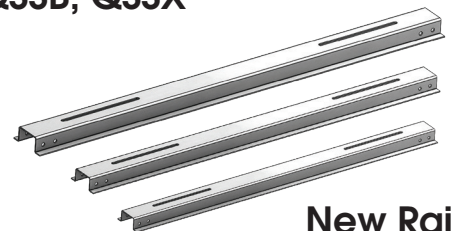
The newly redesigned Super Stands are now simpler to order, easier to size and compatible with more equipment models than ever.

#### Features

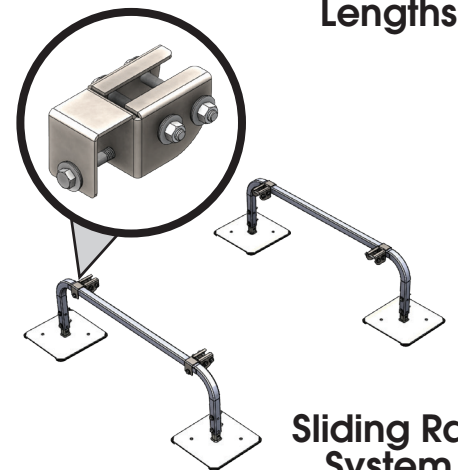
- Infinite depth adjustability with new sliding rail design.
- Rail slots allow for mounting hole alignment for most all equipment models.
- New base and extension models make customizing stands quick and easy.
- 900lb capacity for each single module section.
- Reduced number of SKU's
- Hurricane Rated



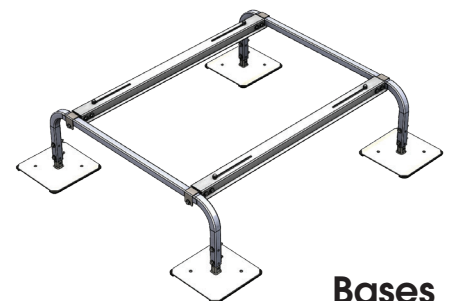
QSSB, QSSX



New Rail  
Lengths



Sliding Rail  
System



Bases

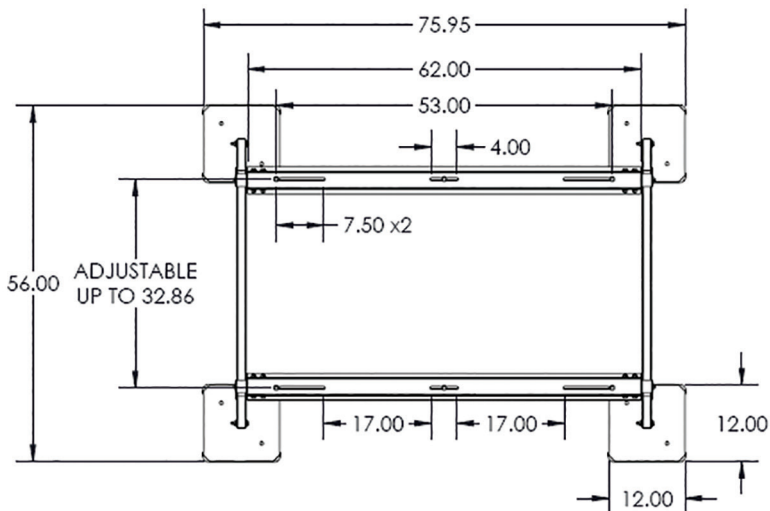
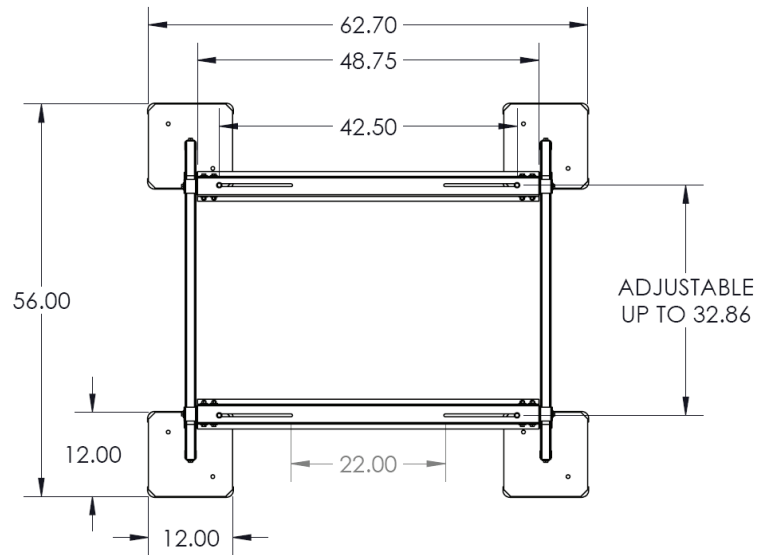


Extensions

## Base Stands

### 48" Wide Base Stands

- QSSB48-12 (12" Tall)
- QSSB48-18 (18" Tall)
- QSSB48-24 (24" Tall)

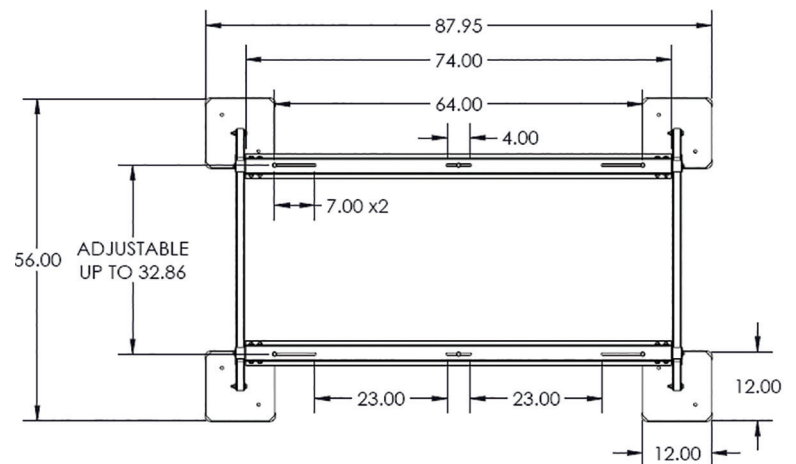


### 62" Wide Base Stands

- QSSB62-12 (12" Tall)
- QSSB62-18 (18" Tall)
- QSSB62-24 (24" Tall)

### 74" Wide Base Stands

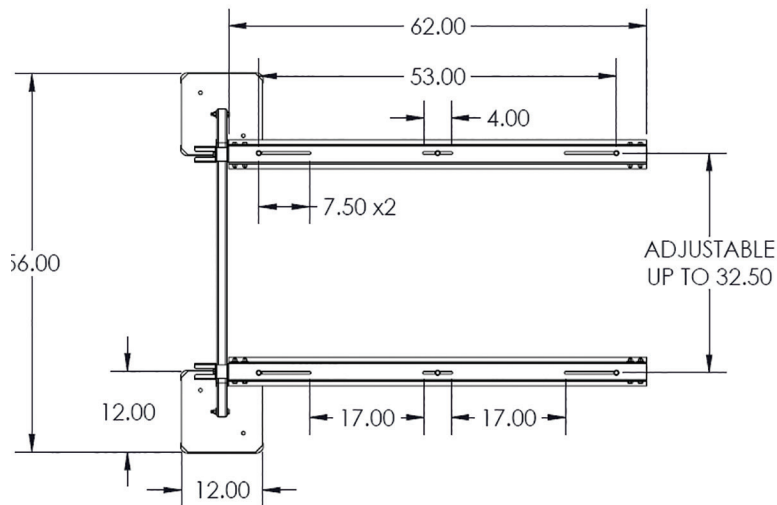
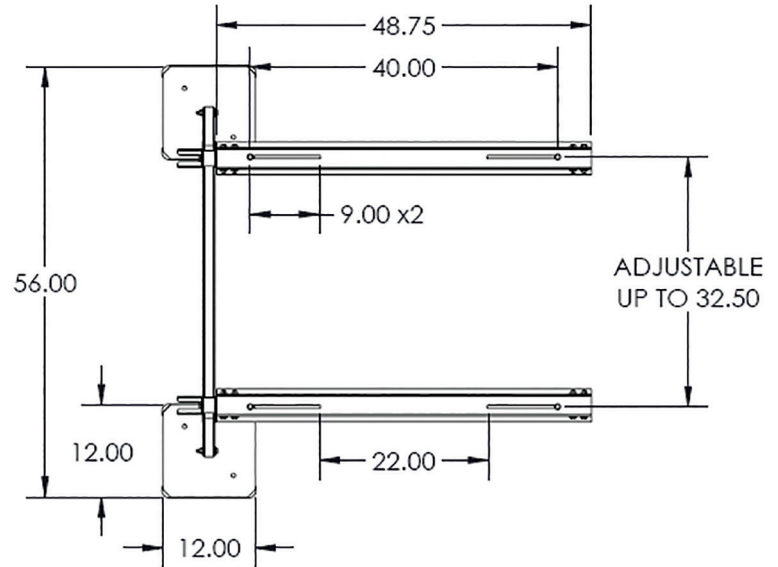
- QSSB74-12 (12" Tall)
- QSSB74-18 (18" Tall)
- QSSB74-24 (24" Tall)



## Extension Kits

### 48" Wide Extension Kit

- QSSX48-12 (12" Tall)
- QSSX48-18 (18" Tall)
- QSSX48-24 (24" Tall)



### 62" Wide Extension Kit

- QSSX62-12 (12" Tall)
- QSSX62-18 (18" Tall)
- QSSX62-24 (24" Tall)

### 74" Wide Extension Kit

- QSSX74-12 (12" Tall)
- QSSX74-18 (18" Tall)
- QSSX74-24 (24" Tall)

