

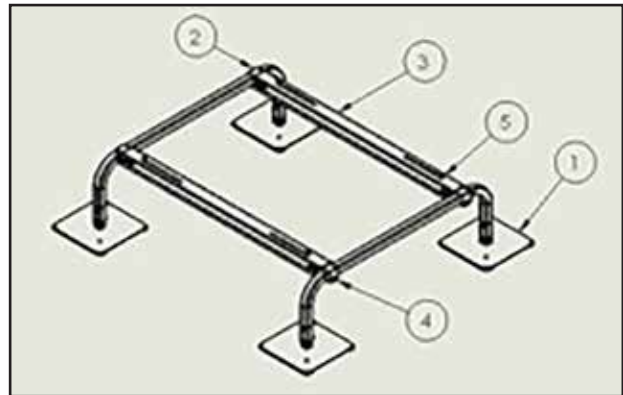
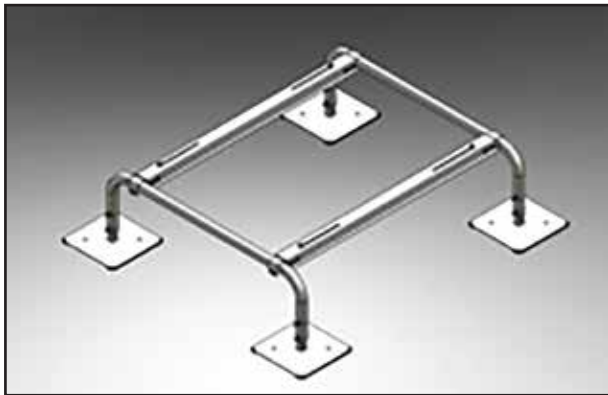
QUICK-SLING®

by DIVERSITECH®

Super Stand Base Kit

U.S. Patent No. 866,754

*Please adhere to all local laws and building codes



ITEM NO.	PART NUMBER	DESCRIPTION	SW/QTY.
1	QSSB200-12	New Super Stand U-Leg 12"	2
2	SS201	Single Side Saddle	4
3	SS248	48" Rail w/long slots	4
4	HDKSB01	Hardware kit for QSSB200	1
5	HDKSB03	Hardware kit for QSSB248	1

The directions for assembly will then follow:

1. Each foot (1) is adjustable in $1 \frac{1}{4}$ " & $\frac{1}{2}$ " increments up to $1 \frac{3}{4}$ ". Use the hardware included in HDKSB01 (4) to assemble the U-Leg to the feet.
2. Once feet are adjusted to the desired height, place the sliding saddle (2) on the bar and attach the hardware from another HDKSB01 (4). Do not fully tighten so saddles can slide to desired location.
3. Place cross rails (3) on the saddles (2) to connect the two U-Legs (1). Use the remaining hardware included to attach the rails to the saddles. The length of rails will determine the hardware kit included: 48" rails will be HDKSB03 (5); 62" and 74" rails will be HDKSB04.
4. Once the rails (4) are in the correct position, place the unit on the rails and attach it with the remaining hardware. Make sure to tighten all remaining hardware.