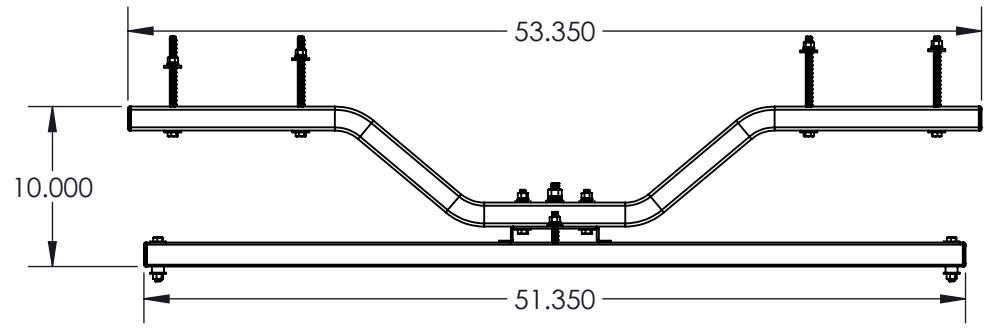
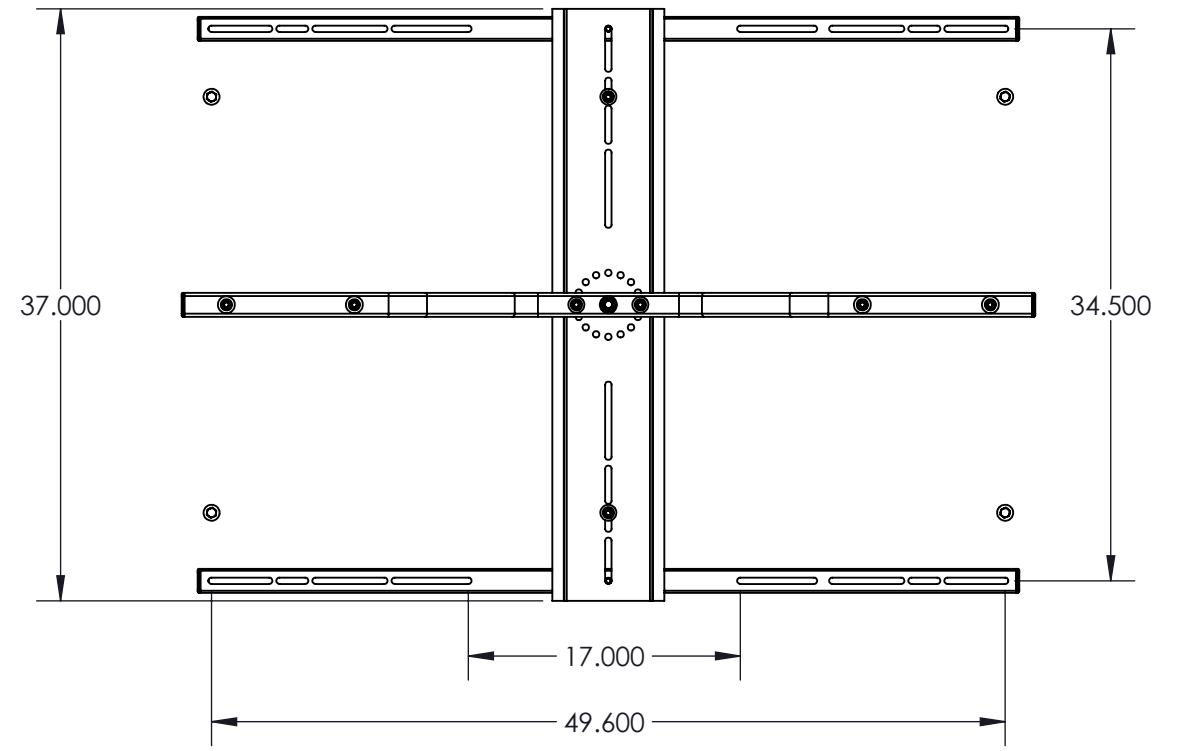
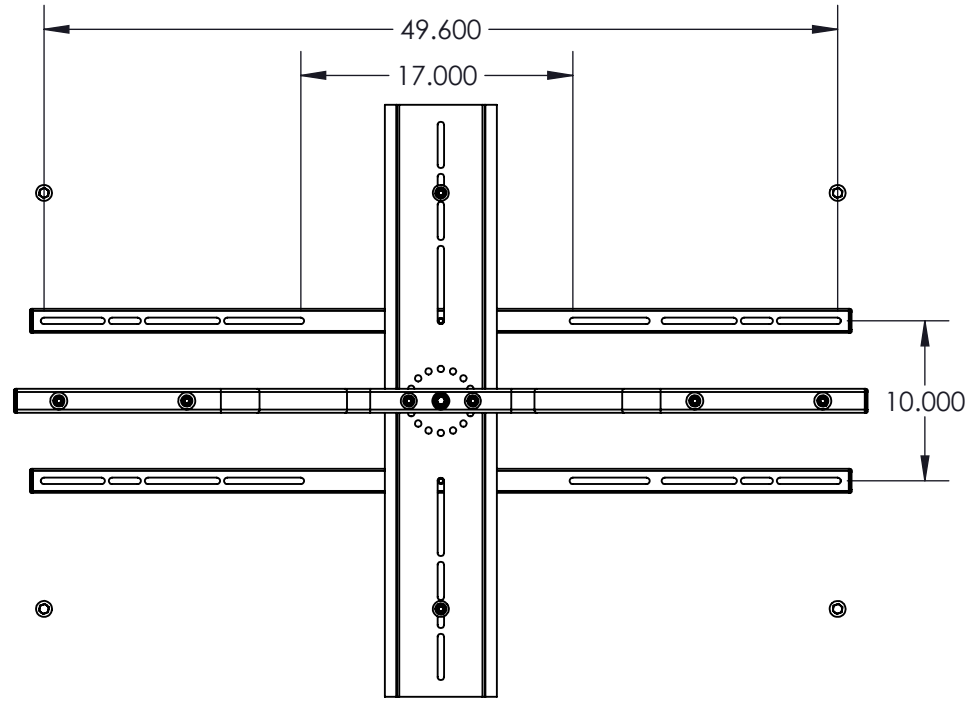


REVISIONS				
REV.	DESCRIPTION	DRAWN BY	APPR BY	APPR DATE



ITEM NO.	PART NUMBER	DESCRIPTION	QTY.
1	H FRAME SW107	SEIVEL HD FLUSH BAR	1
2	H FRAME SW115	36IN SPREADER PLATE	1
3	H FRAME SW116	SWIVEL SPREADER BAR	2
4	QSR006	1/2IN ZINC WASHER	9
5	QSR005	1/2IN SPLIT WASHER	1
6	QSR004	1/2IN GR8 ZINC NUT	1
7	QSR038	3/8IN ZINC WASHER	14
8	QSR034	3/8IN SPLIT WASHER GALV	8
9	QSR026	3/8IN ZINC HEX NUT	12
10	QSR020	3/8-16X2.5IN ZINC HEX TAP BOLT	6
11	QSR024	3/8-16X6IN ZINC HEX TAP BOLT	4
12	QSR058	1X.375X.375IN RUBBER WASHER	4

ALL DRAWINGS AND WRITTEN MATERIAL CONTAINED HEREIN ARE THE PROPERTY OF DIVERSITECH CORP AND MAY NOT BE DUPLICATED OR DISCLOSED AT ANY TIME UNLESS APPROVED IN WRITING BY DIVERSITECH CORP INTERPRET THIS DRAWING IN ACCORDANCE WITH ASME Y14.5-2009 DIMENSIONING AND TOLERANCING STANDARDS	UNLESS OTHERWISE SPECIFIED DIMENSIONS & TOLERANCES ARE IN INCHES		DEBURR ALL SHARP EDGES *DO NOT SCALE*		TITLE	SIZE	
	DIM RANGE	TOLERANCE			0.02 - 0.12 ±0.008 0.12 - 0.24 ±0.012 0.24 - 1.18 ±0.020 1.18 - 4.72 ±0.031 4.72 - 15.75 ±0.047 15.75 - 39.4 ±0.079 39.4 + ±0.118	THIRD ANGLE PROJECTION 	DRAWN BY CAD APPR. DWG APPR.