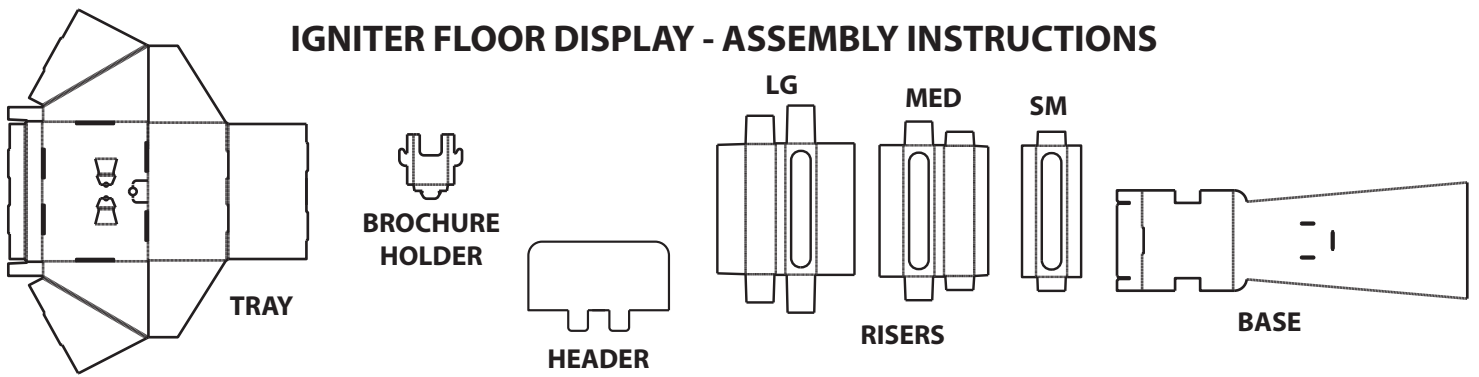
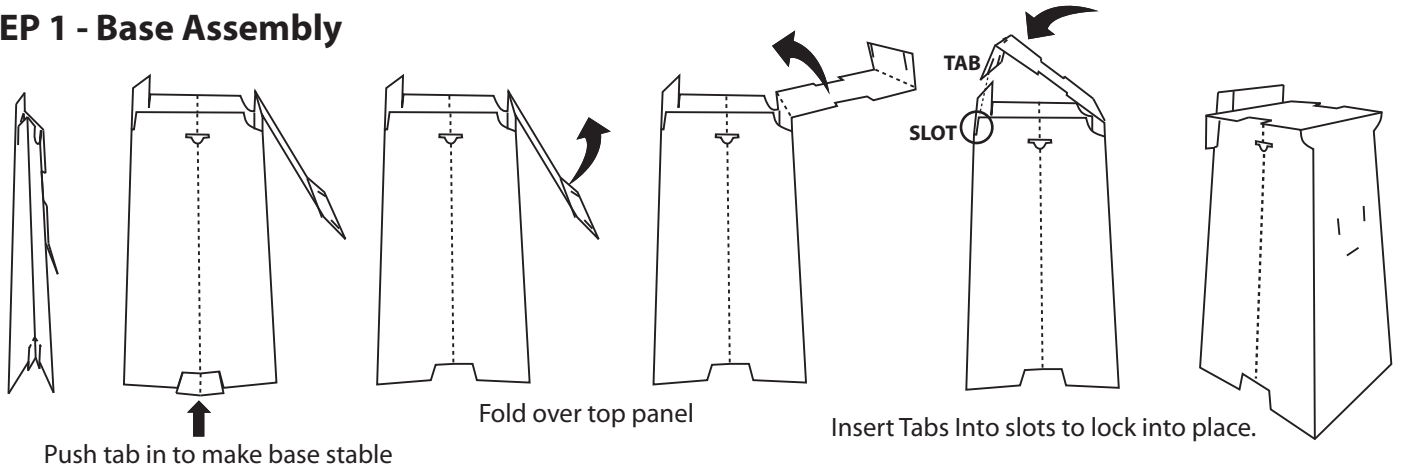


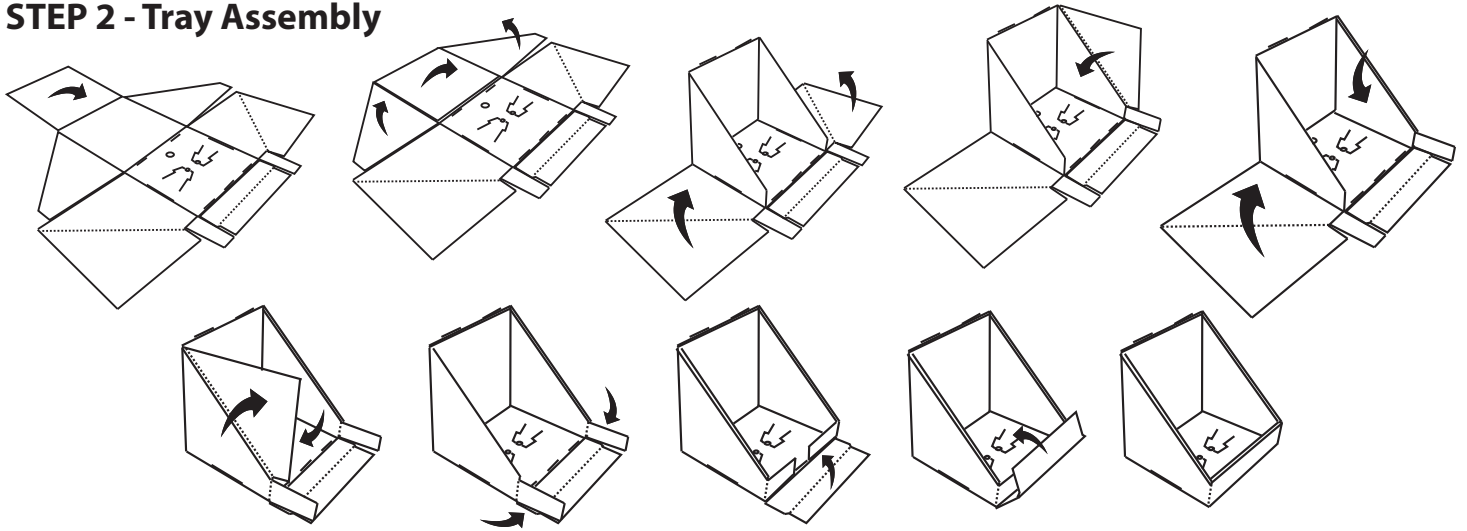
IGNITER FLOOR DISPLAY - ASSEMBLY INSTRUCTIONS



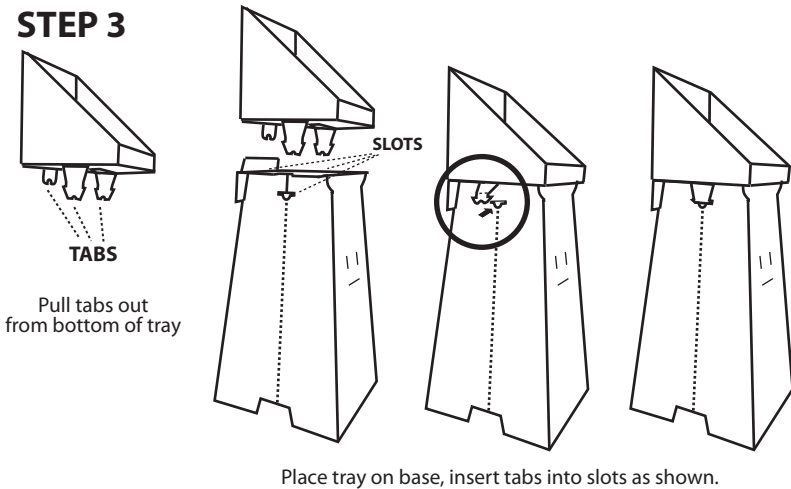
STEP 1 - Base Assembly



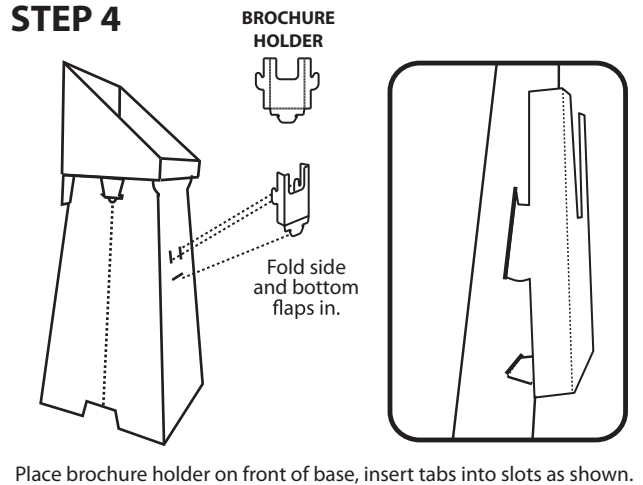
STEP 2 - Tray Assembly



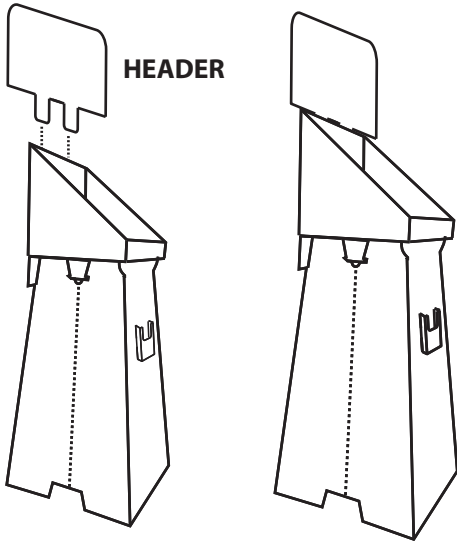
STEP 3



STEP 4

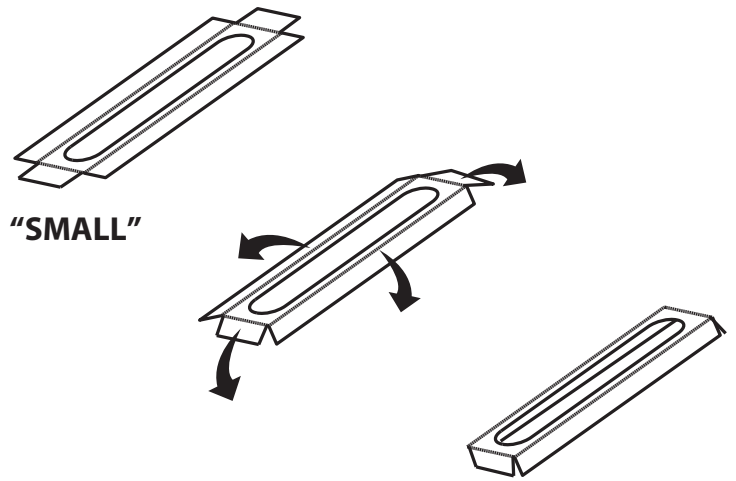


STEP 5

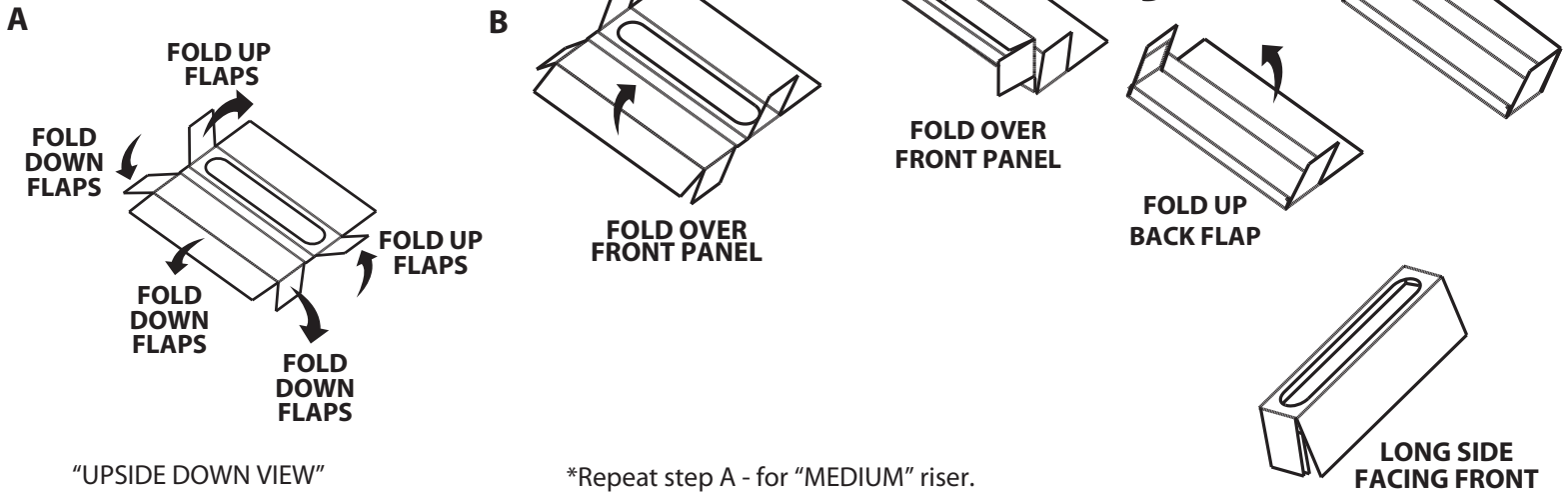


Place header tabs into top slots of tray

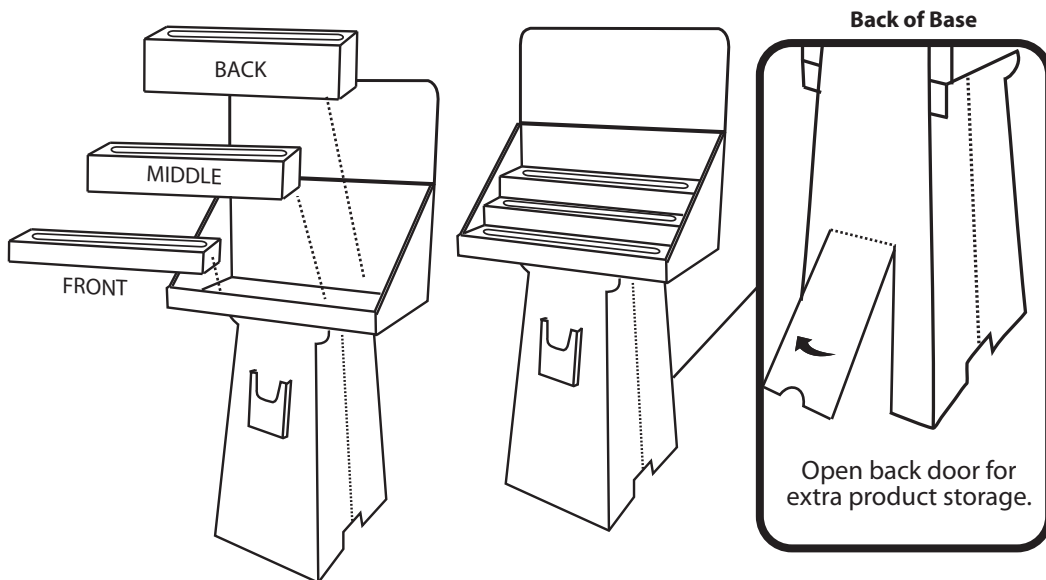
STEP 6 - SM - Riser Assembly



STEP 7 - LG & MED Riser Assembly



STEP 8 - Riser Placement



Place Risers Back to front starting with large and ending with small riser.